


PRODUCT SHEET

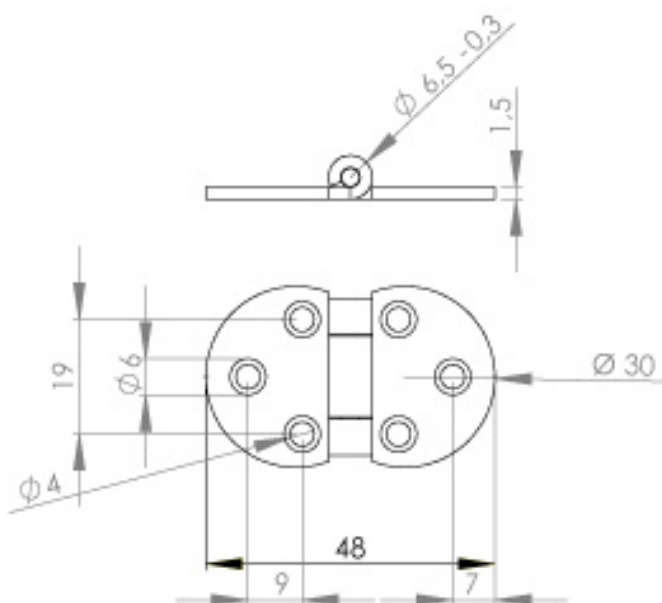
Description:

Flap Hinge \varnothing 30mm x 1.5mm knuckle Up, Steel, Bronze Pl.

Item number:

15.09.411-0

| Units | Box | Carton | HS Code | Barcode |
|-------|-----|--------|------------|--|
| Pcs. | 300 | 1200 | 8302100090 |  |
| | | | | 5704866056199 |



SISO A/S

Mileparken 11
DK-2740 Skovlunde
Denmark
VAT: DK 24786013

Phone +45 45 830 900

www.siso.dk
siso@siso.dk

Danske Bank
Nytorv Branch
Copenhagen
SWIFT: DABADKKK

Account no.
4180 3112 112936
IBAN Account
DK7230003112112936